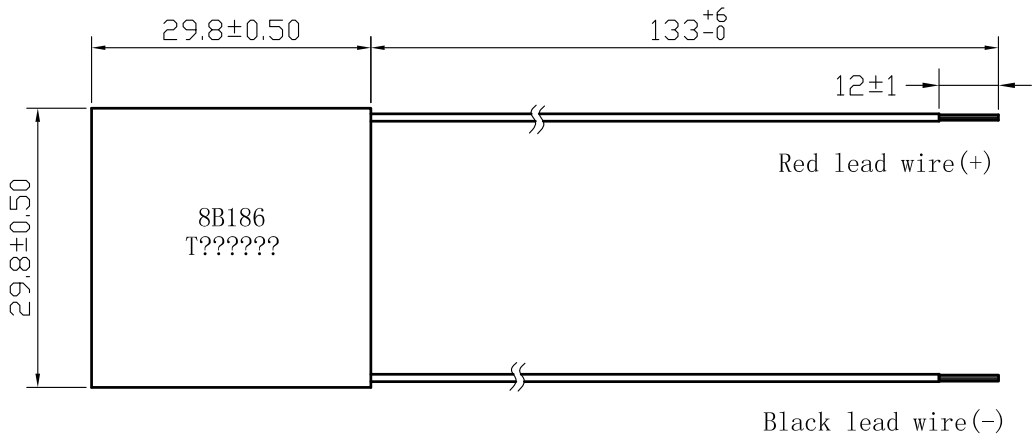
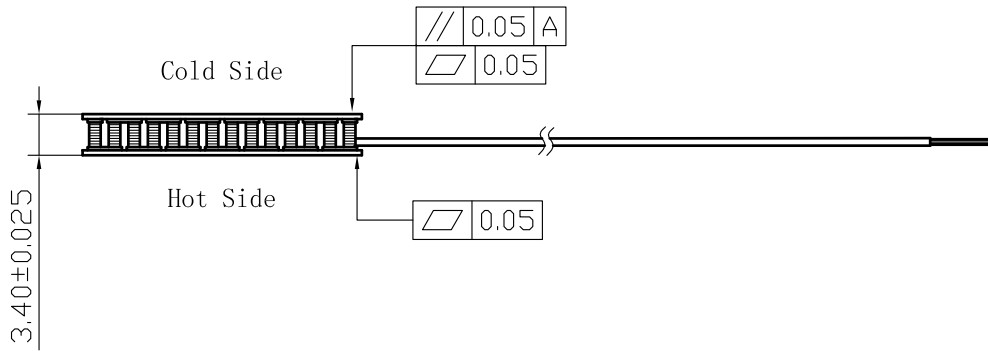


FERROTEC CONFIDENTIAL



- 1). The resistance of the module shall be within 0.984 to 1.199 ohms at an ambient temperature of 25 degrees Celsius.
- 2).Material of lead wires: #22 AWG Type-E Teflon MIL-W-16878E/4.
- 3).The end of the lead wires shall be pre-tinned.
- 4).P/N number and Lot Number shall be printed on the cold side with black color.

ROHS COMPLIANCE



Item	Value	Test Conditions
I <sub>max</sub>	9.0A	Q <sub>c</sub> =0, DT=DT <sub>max</sub> , Th=50°C
V <sub>max</sub>	13.8V	Q <sub>c</sub> =0, I=I <sub>max</sub> , Th=50°C
DT <sub>max</sub>	83°C	Q <sub>c</sub> =0, I=I <sub>max</sub> , Th=50°C
Q <sub>cmax</sub>	65W	I=I <sub>max</sub> , DT=0, Th=50°C
Th <sub>max</sub>	200°C	Maximum Process Temperature

**Ferrotec Corporation**  
 (Zhijiang Factory)  
 668# Binkang Road, Hangzhou Hi-tech  
 Garden, Zhejiang Province, P.R.China

General Dimension Tolerance				PLs	Date Modifying	Summary Of Modification	By	Designed	2014.1.14	Finished Mark	Title	Proj.
Process	Cutting	Forging		▲				Fangliang Hou	2014.1.14	Material	72001/097/090B	3 Angle
	Size Range	Common	Special					Common	Checked	Yongqing Wu		
	less than 6	±0.1		▲				Approved		Finish	T1406-4100	1 1
	6 up to 30	±0.2	±0.15	±0.5	▲			FTA		Raw Material Size		
	30 up to 120	±0.3	±0.2	±0.7	▲			Approved		Raw Material Weight	8B186	Scale: Do Not Scale
	120 up to 315	±0.5	±0.25	±1.0	▲			FTA	Approved			
	315 up to 1000	±0.8	±0.4	±1.5	▲							
	1000 up to 2000	±1.2	±0.6	±2.0	▲							