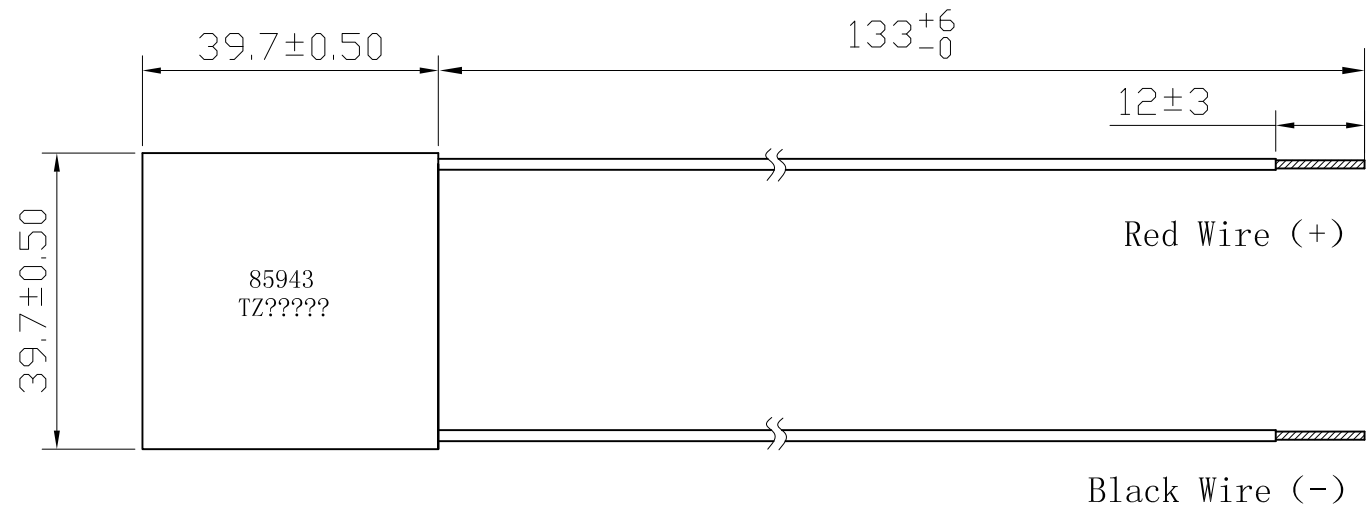
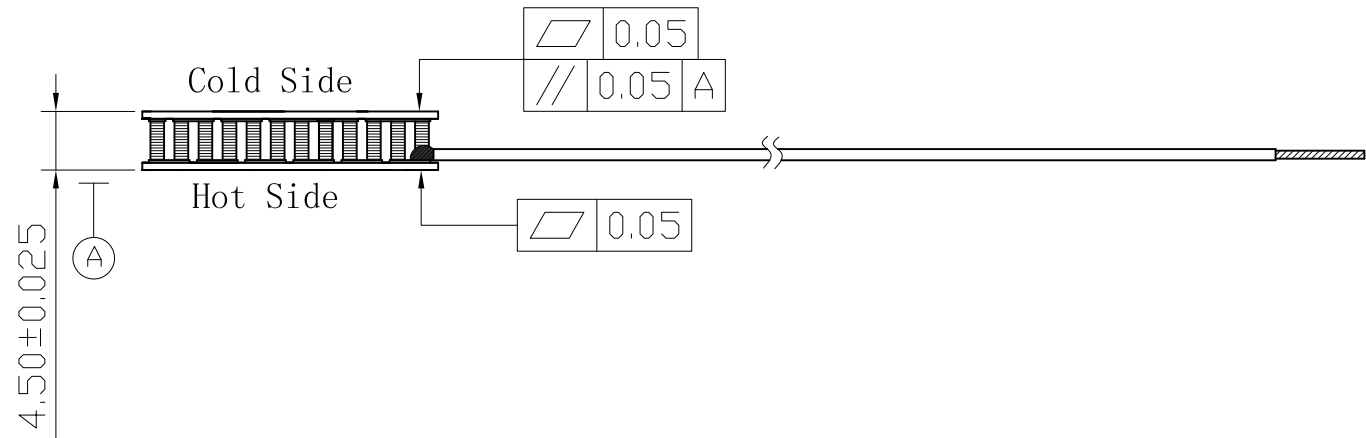


FERROTEC CONFIDENTIAL

ROHS COMPLIANCE



- 1) The resistance of the module shall be within 2.880 to 3.515 ohms at an ambient temperature of 25 degrees Celsius.
- 2) Material of lead wires: #24 AWG Type-E Teflon MIL-W-16878E/4.
- 3) The end of the lead wires is pre-tinned.
- 4) Lot Number and Part Number shall be stamped on the cold side with black color.
- △ 5) Max process temperature 200°C.



Item	Value	Test Conditions
I _{max}	4.0A	Q _c =0, DT=DT _{max} , Th=50°C
V _{max}	18.1V	Q _c =0, I=I _{max} , Th=50°C
DT _{max}	83°C	Q _c =0, I=I _{max} , Th=50°C
Q _{cmax}	38W	I=I _{max} , DT=0, Th=50°C



General Dimension Tolerance			PLs	Date	Summary Of Modification	By	Designed	Finished Mark	Title	Proj.	
Process	Cutting	Forging	△	4	2014/6/23	Change parameters	Mei Yang	Jiejian Lu	13.3.26	7200A/127/040B	3
	Common	Special						Common	Checked	Material	Angle
Size Range	less than 6	±0.1	±0.15	±0.5			Yongqin Wu	13.3.26	Drawing Number	1/1	
	6 up to 30	±0.2					Approved		T1303-3600E	Rev.	
	30 up to 120	±0.3	±0.2	±0.7			Approved		P/N	A	
	120 up to 315	±0.5	±0.25	±1.0			Approved		85943	Scale:	
	315 up to 1000	±0.8	±0.4	±1.5			Approved			Do Not Scale	
Angel	±5°	±1°	±5°								