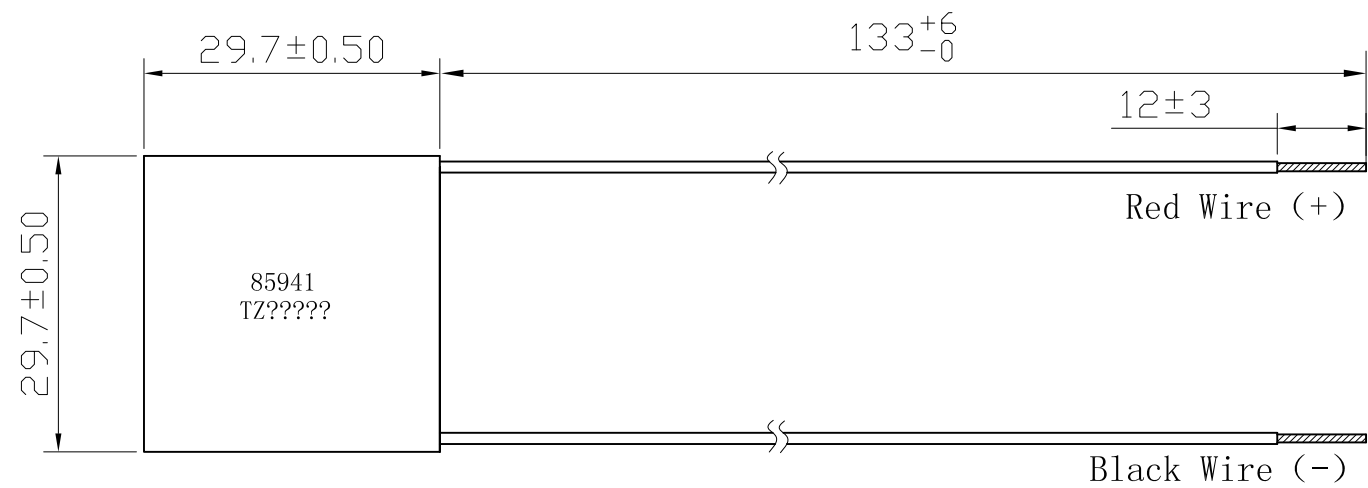
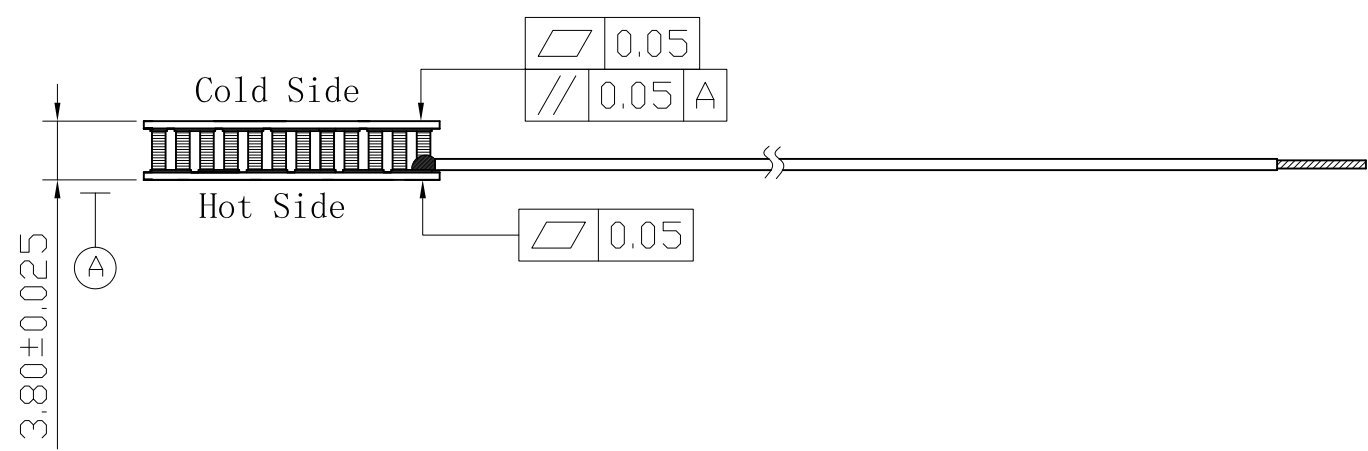


FERROTEC CONFIDENTIAL

ROHS COMPLIANCE



- 1) The resistance of the module shall be within 3.844 to 4.692 ohms at an ambient temperature of 25 degrees Celsius.
- 2) Material of lead wires: #26 AWG Type-E Teflon MIL-W-16878E/4.
- 3) The end of the lead wires is pre-tinned.
- 4) Lot Number and Part Number shall be stamped on the cold side with black color.
- ⚠ 5) Max process temperature 200°C.



Item	Value	Test Conditions
I _{max}	3.0A	Q _c =0, DT=DT _{max} , Th=50°C
V _{max}	18.1V	Q _c =0, I=I _{max} , Th=50°C
DT _{max}	83°C	Q _c =0, I=I _{max} , Th=50°C
Q _{cmax}	28W	I=I _{max} , DT=0, Th=50°C



General Dimension Tolerance			PLs	Date	Summary Of Modification	By	Designed	13.3.26	Finished Mark	Title		Proj.
Size Range	Process	Cutting	Forging				Jiejian Lu			72013/127/030B		3
		Common	Special	Common			Checked		Material	Drawing Number		Angle
less than 6	±0.1						Yongqin Wu	13.3.26		T1303-3400E		1/1
6 up to 30	±0.2		±0.15±0.5				Approved		Finish	P/N		Rev.
30 up to 120	±0.3	±0.2	±0.7				Approved		Raw Material Size	85941		A
120 up to 315	±0.5	±0.25	±1.0				Approved		Raw Material Weight	Scale:		Do Not
315 up to 1000	±0.8	±0.4	±1.5				Approved			Scale		Scale
Angel	±5°	±1°	±5°	1	4	2014/6/23	Change parameters	Mei Yang				