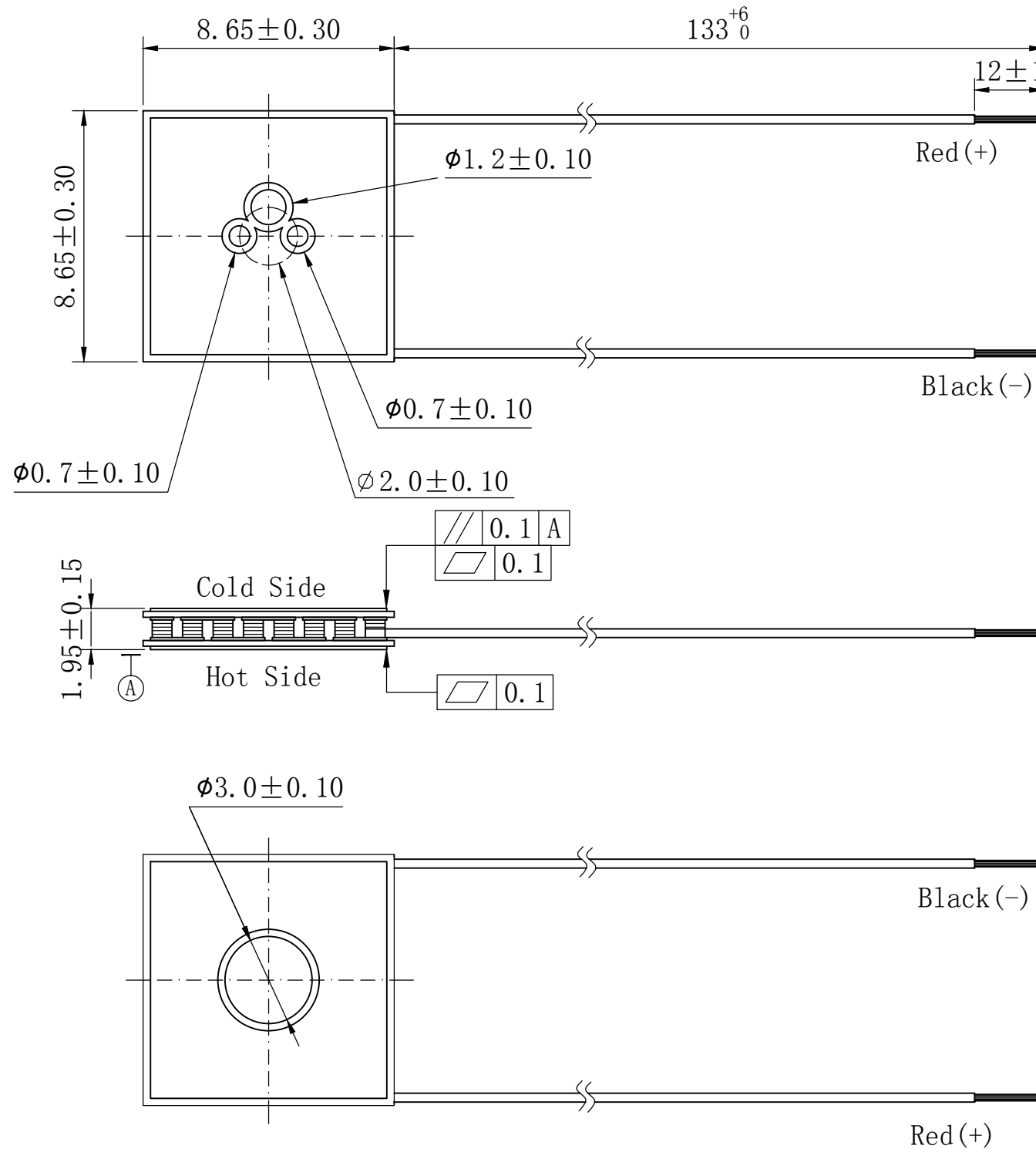


FERROTEC CONFIDENTIAL

- 1) The resistance of the module shall be within 1.757 to 2.141 ohms at an ambient temperature of 25 degrees Celsius.
- 2) Material of lead wires: #26 AWG Type-E Teflon MIL-W-16878E/4.
- 3) The end of the lead wires need be pre-tinned.
- 4) All the surface of cold and hot side of module have been plated gold.

ROHS COMPLIANCE

Item	Value	Test Conditions
I _{max}	1.2A	Q _c =0, DT=DT _{max} , Th=50°C
V _{max}	3.27V	Q _c =0, I=I _{max} , Th=50°C
DT _{max}	80°C	Q _c =0, I=I _{max} , Th=50°C
Q _{cmax}	2.05W	I=I _{max} , DT=0, Th=50°C
Th _{max}	200°C	Momentary



Ferrotec Corporation
 (Zhijiang Factory)
 668# Binkang Road, Hangzhou Hi-tech
 Garden, Zhejiang Province, P.R.China

General Dimension Tolerance			PLs	Date Modifying	Summary Of Modification	By	Designed	2014-6-5	Finished Mark	Title	Proj.
Process	Cutting	Forging	▲				Jiang			20073/023/012M	3
	Common	Special					Common				
Size Range	less than 6	± 0.1	± 0.15	± 0.5			Approved		Finish	Drawing Number	1/1
	6 up to 30	± 0.2					FTH				
	30 up to 120	± 0.3	± 0.2	± 0.7			Approved		Raw Material Size	P/N	Scale: Rev.
	120 up to 315	± 0.5	± 0.25	± 1.0			FT				
	315 up to 1000	± 0.8	± 0.4	± 1.5			FTA	Approved	Raw Material Weight	8B332	Z
	1000 up to 2000	± 1.2	± 0.6	± 2.0						Do Not Scale	